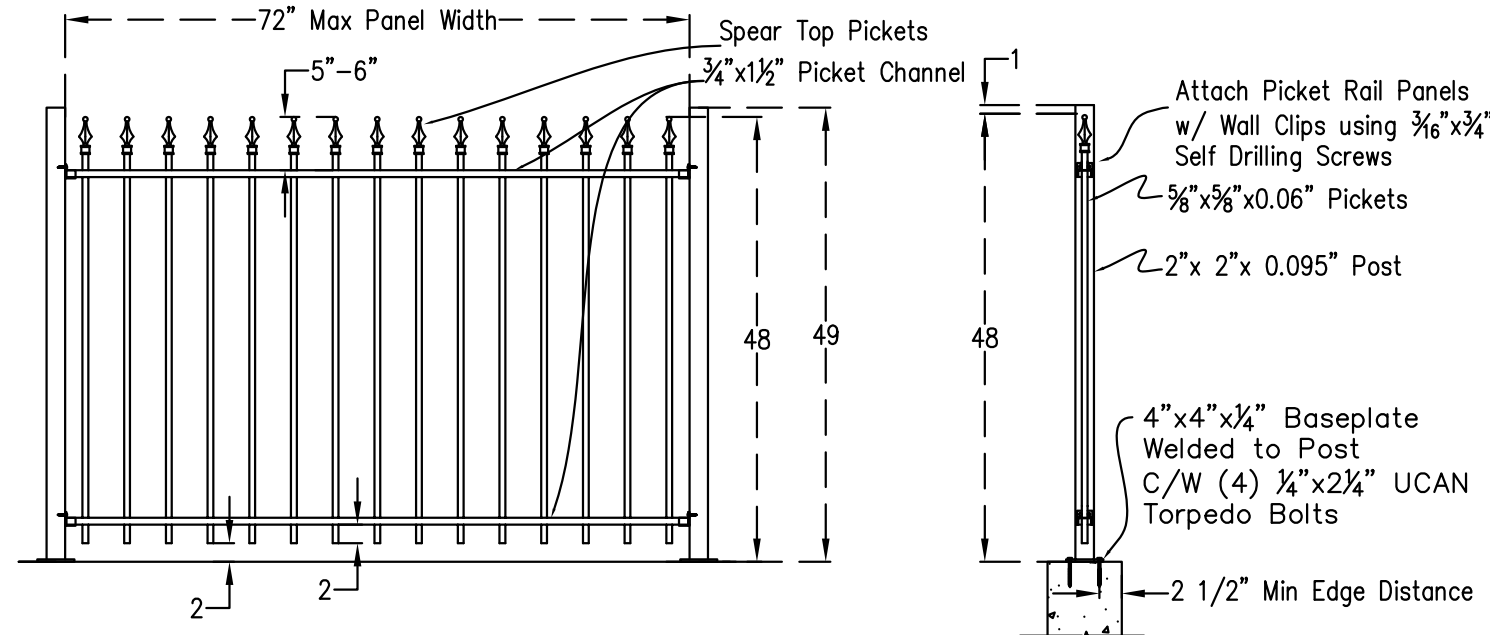
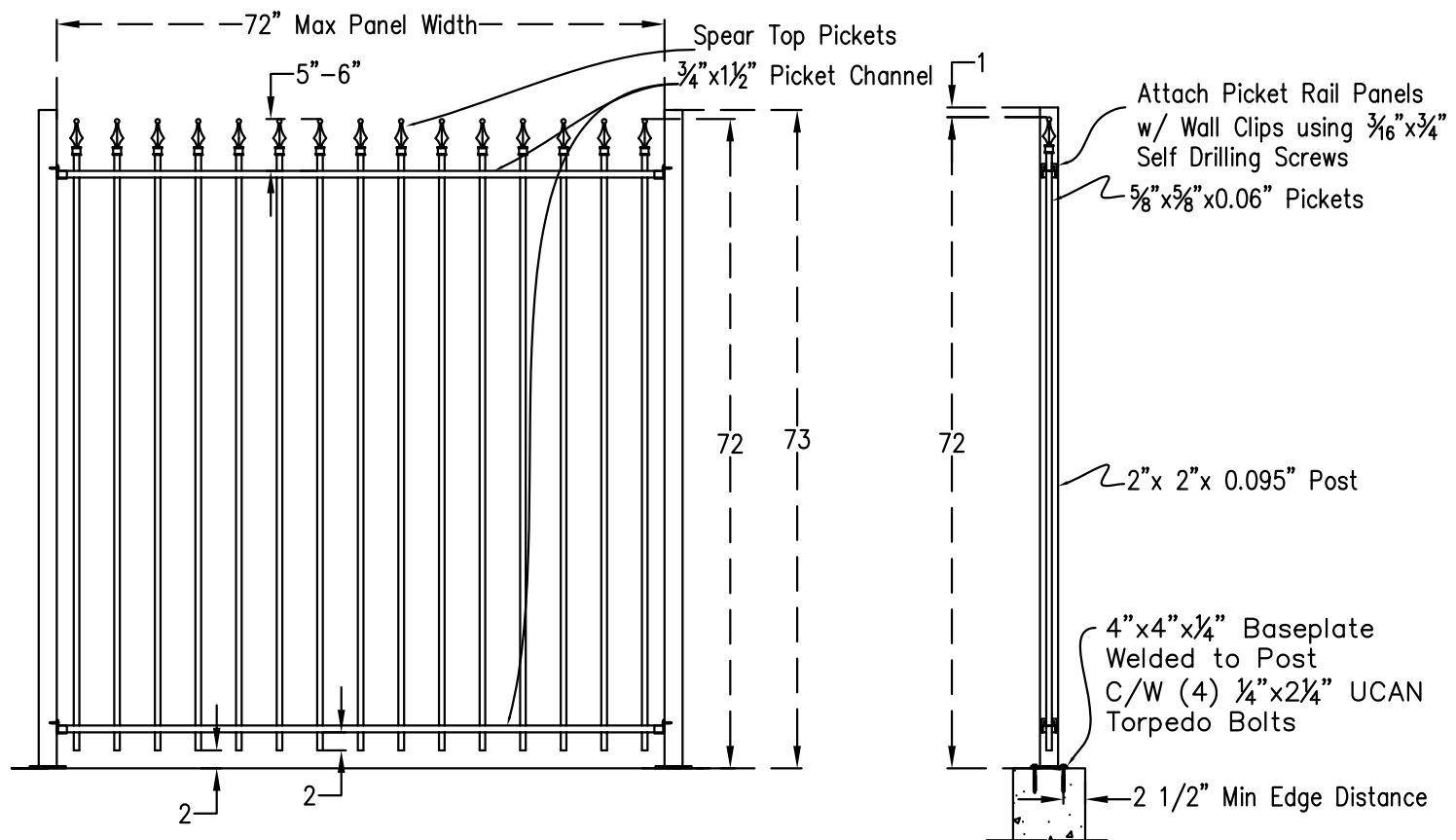


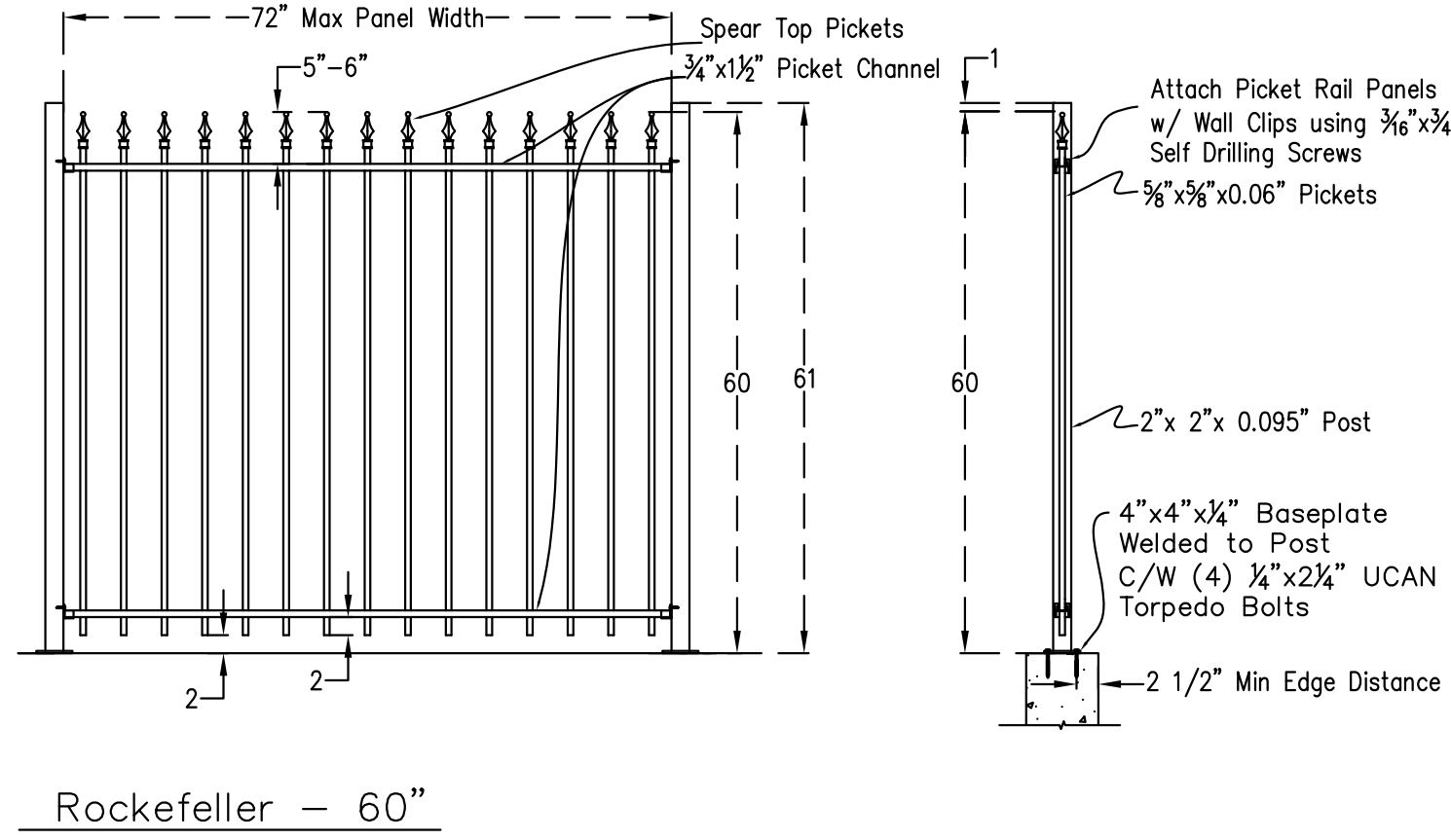
Rockefeller - 42"



Rockefeller - 48"




Rockefeller - 72"



Rockefeller - 60"

Fencing - Rockefeller

	ALUMINUM RAILINGS VINYL DECKING ALUMINUM FENCING 403.995.0361	
	CLIENT: Mclean Fencing PROJECT: PROJECT: DESCRIPTION: DESCRIPTION: DRAWING #: DRAWING #: PROJECT #: PROJECT #: ENGINEER: ENGINEER: DRAWN BY: PSA DRAWN DATE: Feb 08-19 SCALE: SHEET: 6of8	REV:
Email: rickmclean@shaw.ca Fax: (403) 995-0362		