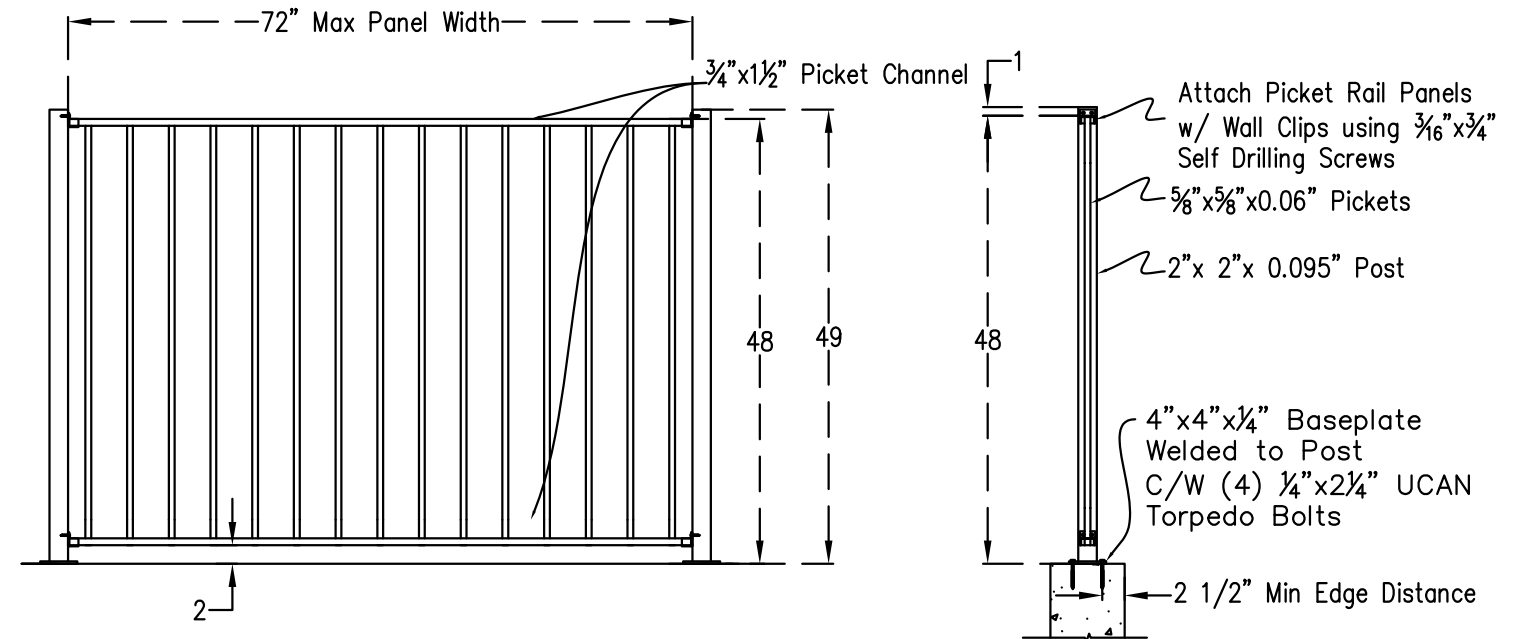
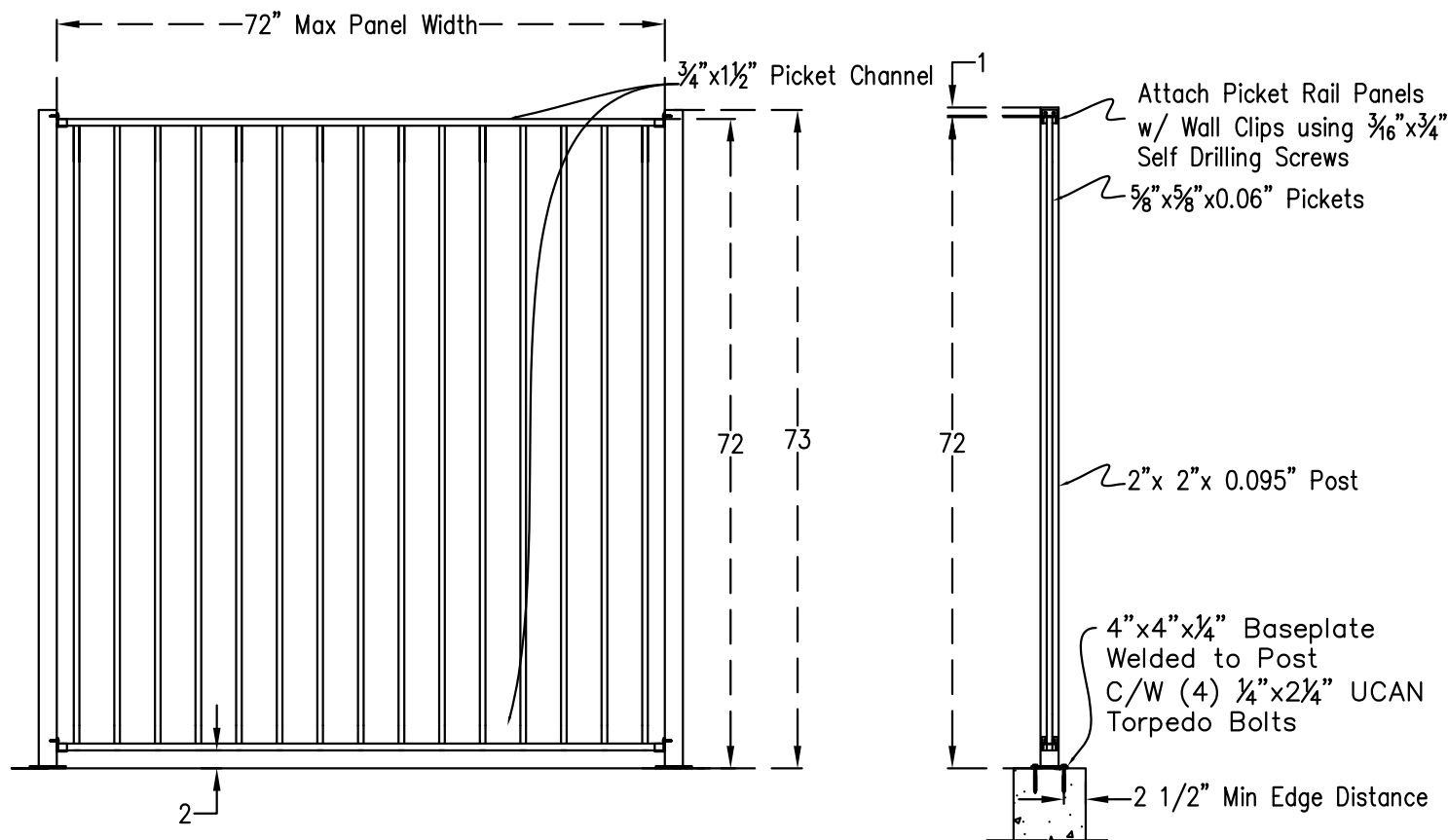


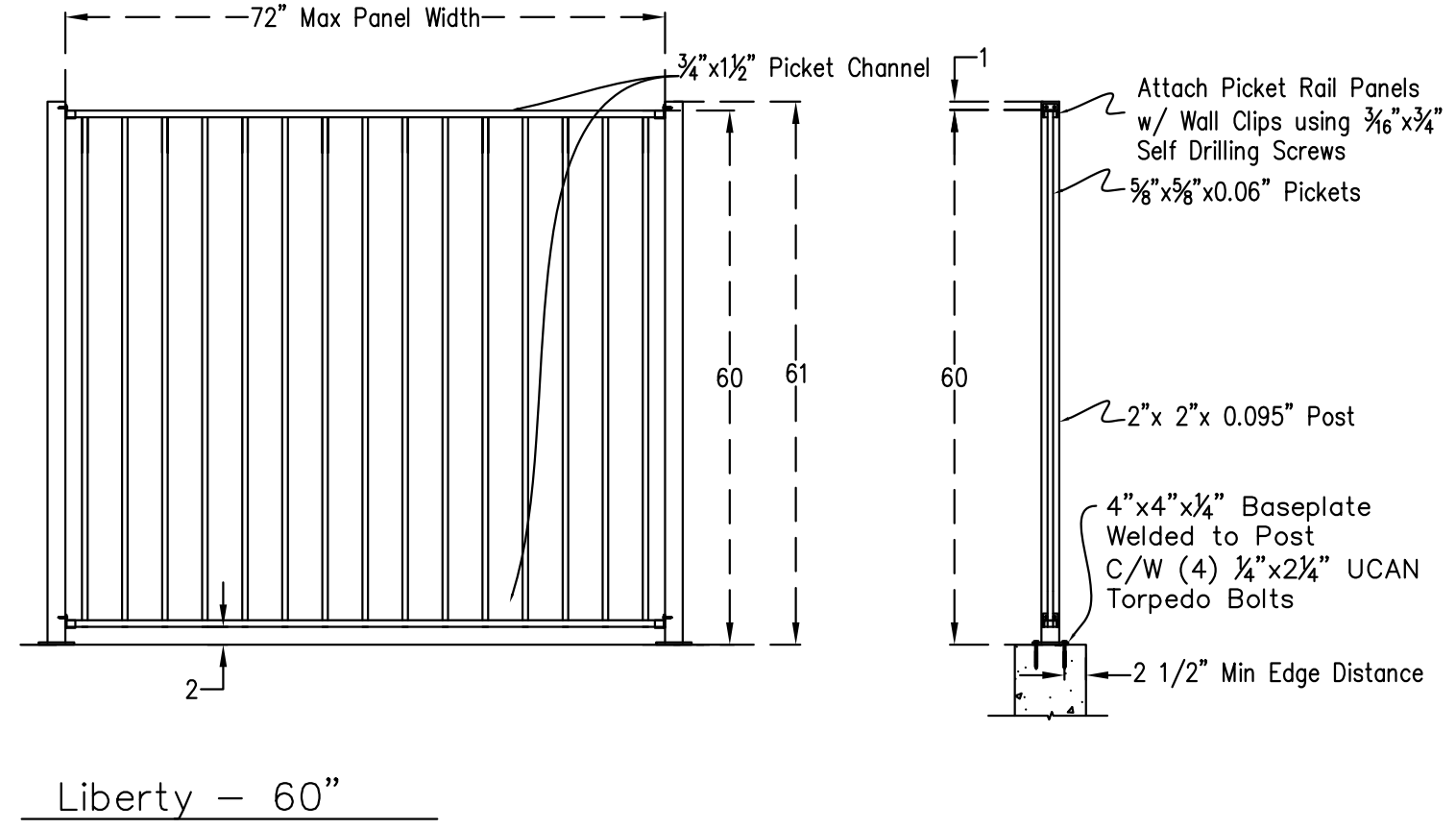
Liberty - 42"



Liberty - 48"




Liberty - 72"



Liberty - 60"

Fencing - Liberty

 <p>ALUMINUM RAILINGS VINYL DECKING ALUMINUM FENCING 403.995.0361</p>	CLIENT:	McLean Fencing	
	PROJECT:	PROJECT:	
	DESCRIPTION:	DESCRIPTION:	
	DRAWING #:	DRAWING #:	
	PROJECT #:	PROJECT #:	
	ENGINEER:	ENGINEER:	
	DRAWN BY:	PSA	
	DRAWN DATE:	Feb 08-19	
SCALE:	SHEET: 4of8	REV:	
Email: rickmclean@shaw.ca		Fax: (403) 995-0362	