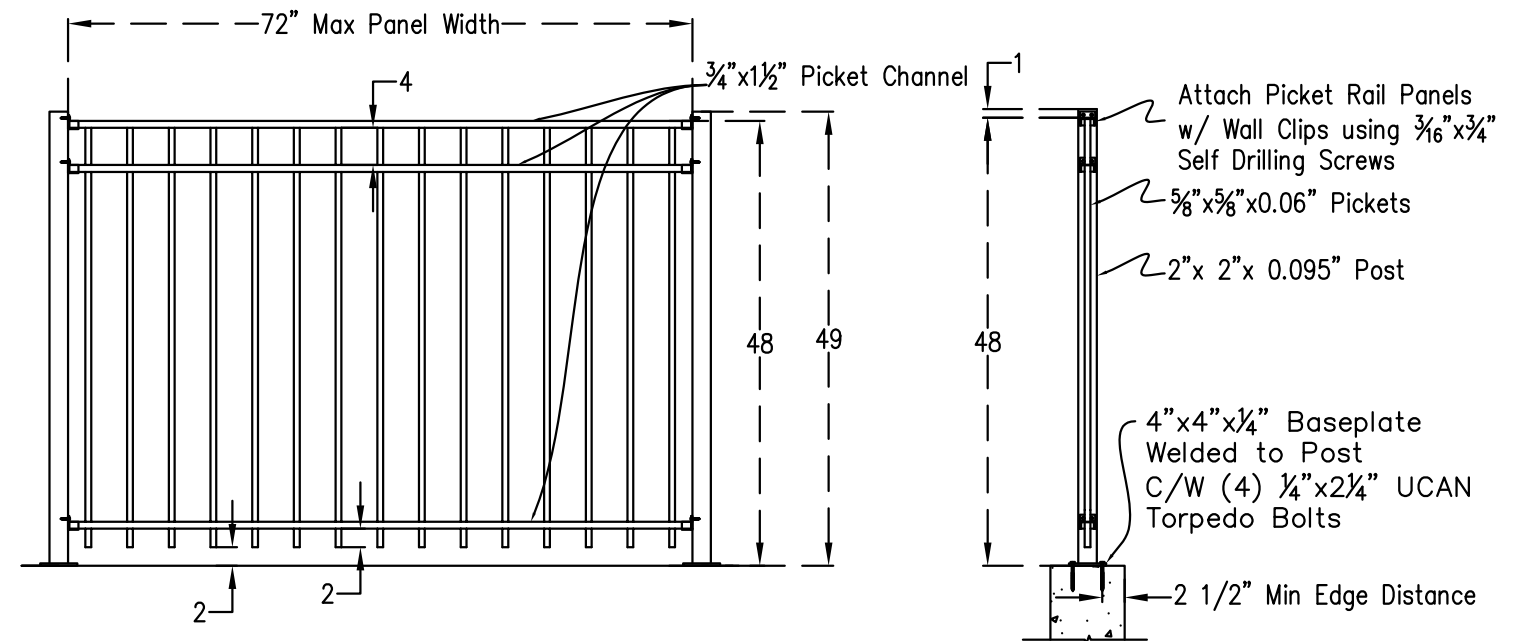
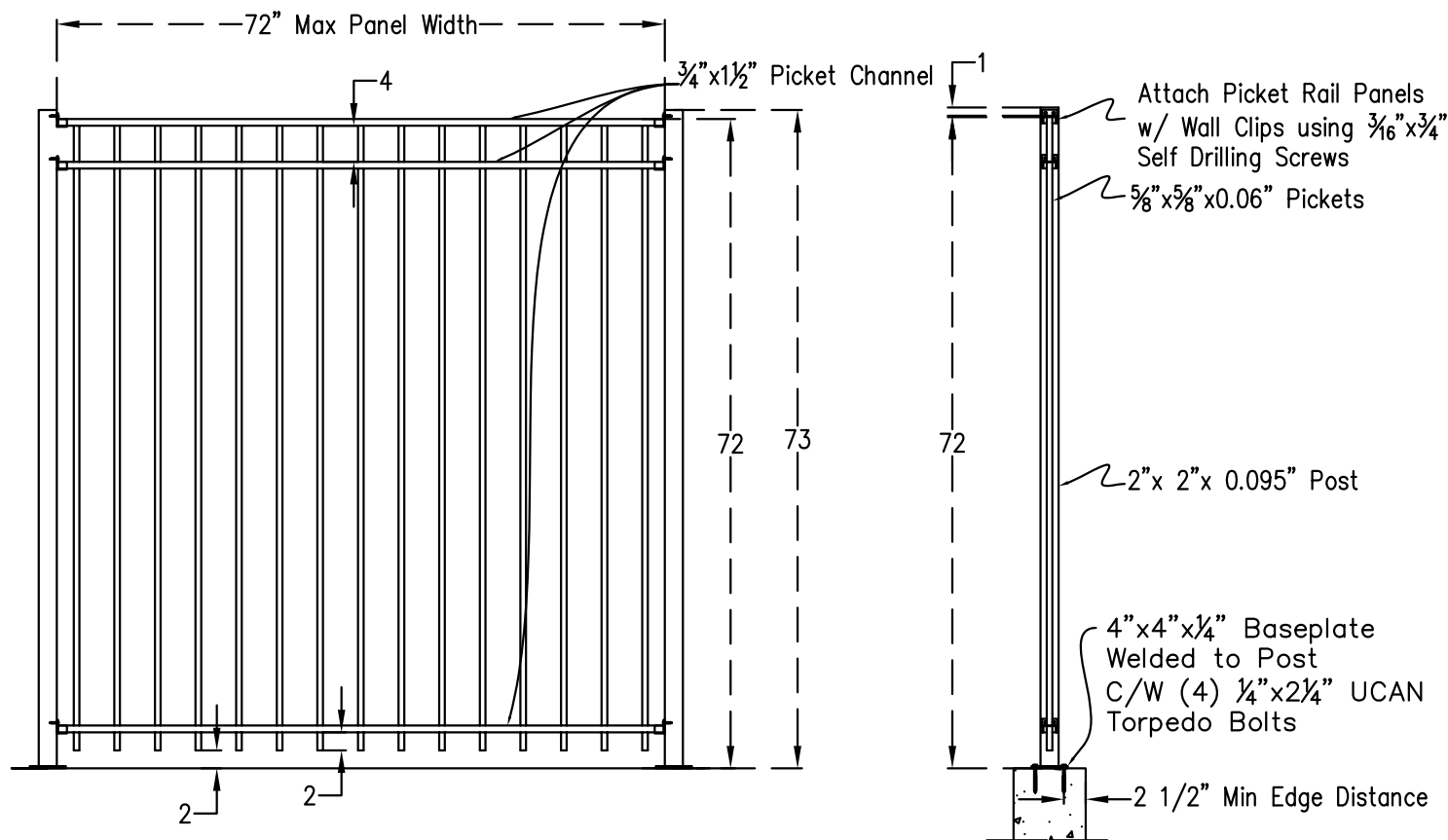


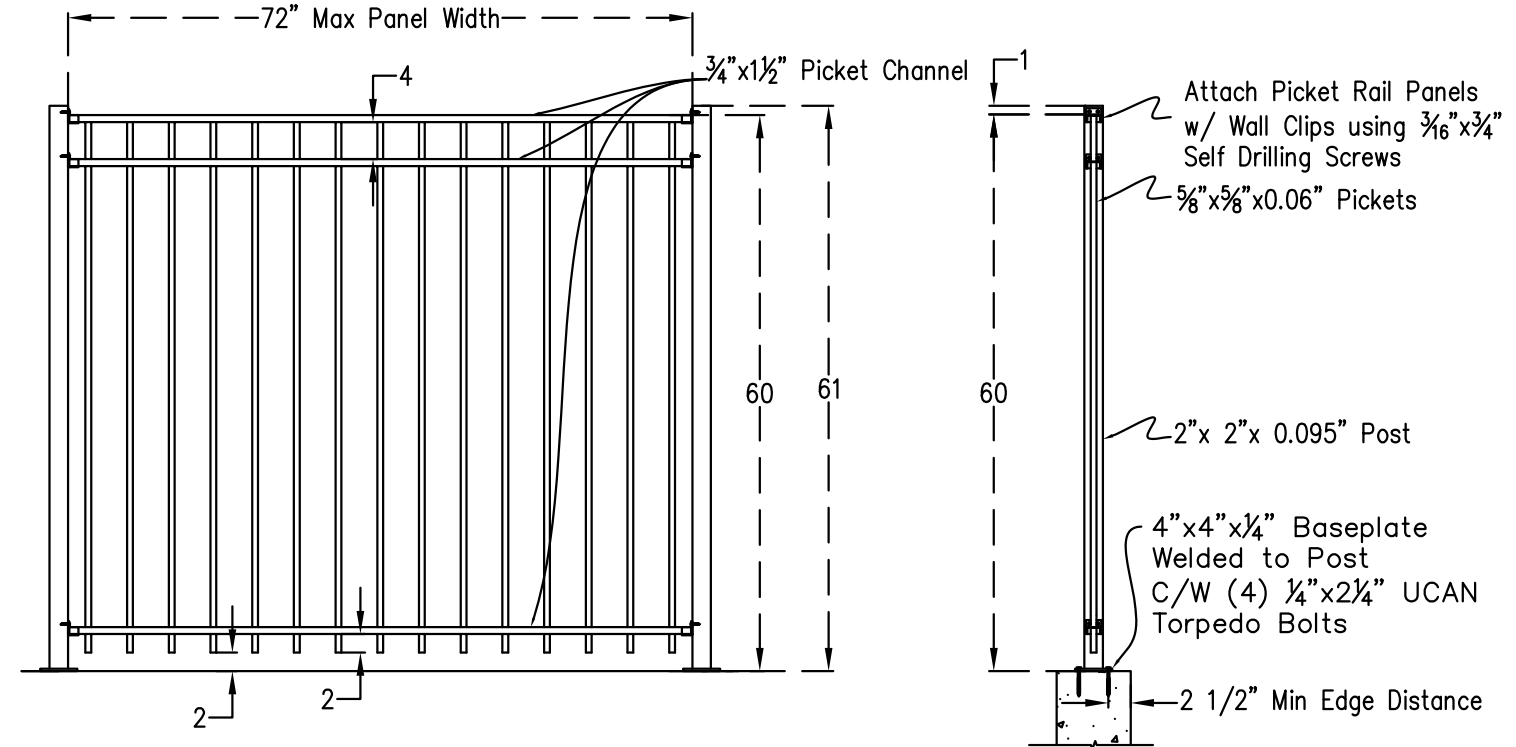
Capped Manhattan - 42"



Capped Manhattan - 48"




Capped Manhattan - 72"



Capped Manhattan - 60"

Fencing - Capped Manhattan

 <p><b>ALUMINUM RAILINGS</b> <b>VINYL DECKING</b> <b>ALUMINUM FENCING</b> <b>403.995.0361</b></p>	CLIENT:	McLean Fencing	
	PROJECT:	PROJECT:	
	DESCRIPTION:	DESCRIPTION:	
	DRAWING #:	DRAWING #:	
	PROJECT #:	PROJECT #:	
	ENGINEER:	ENGINEER:	
	DRAWN BY:	PSA	
	DRAWN DATE:	Feb 08-19	
SCALE:	SHEET: 3of8	REV:	
Email: rickmclean@shaw.ca	Fax: (403) 995-0362		